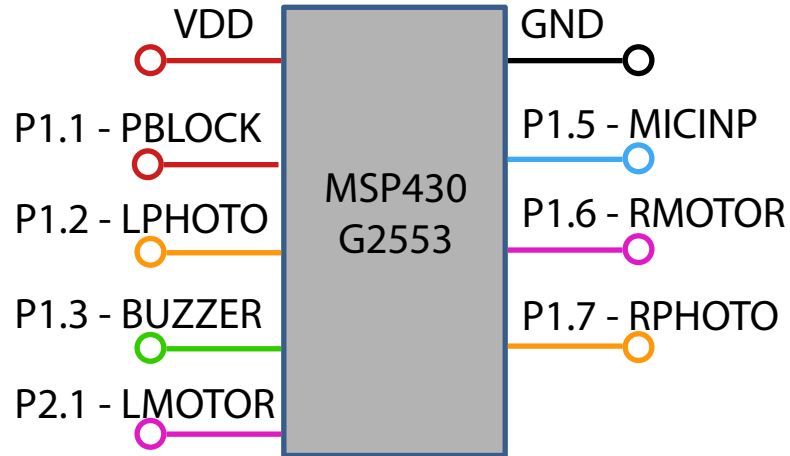
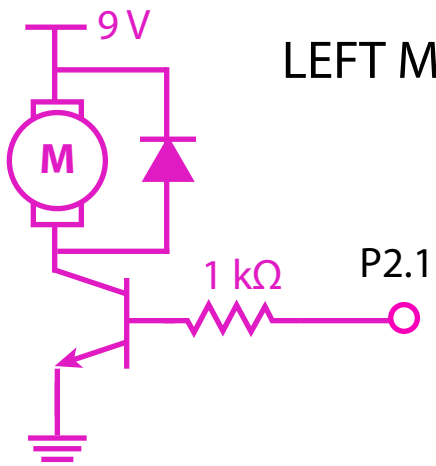


EE40LX Robot Schematic

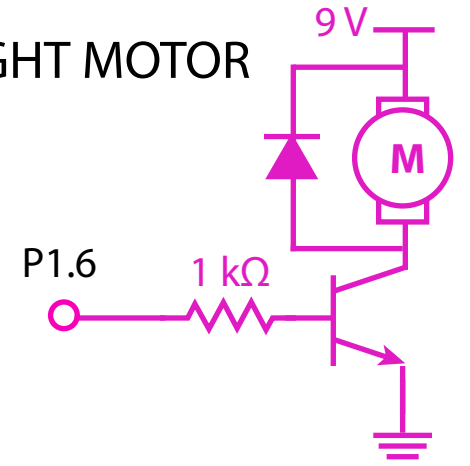
Note: pin numbers are just suggestions and can be changed in the code!



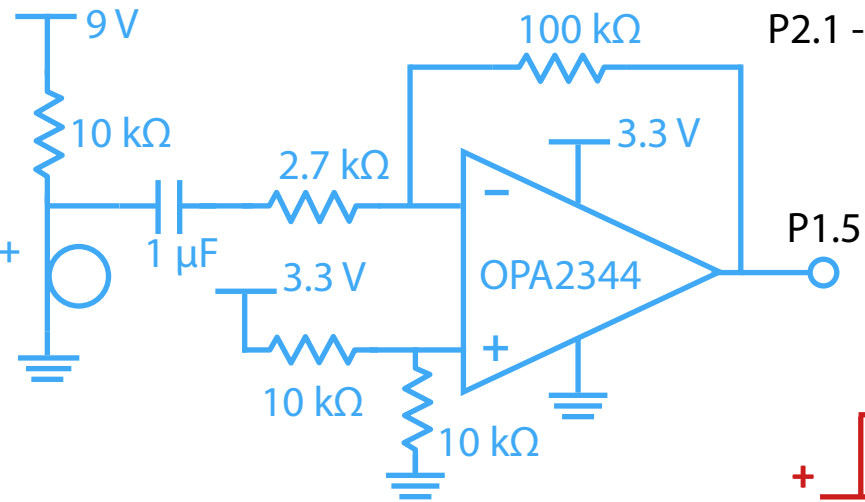
LEFT MOTOR



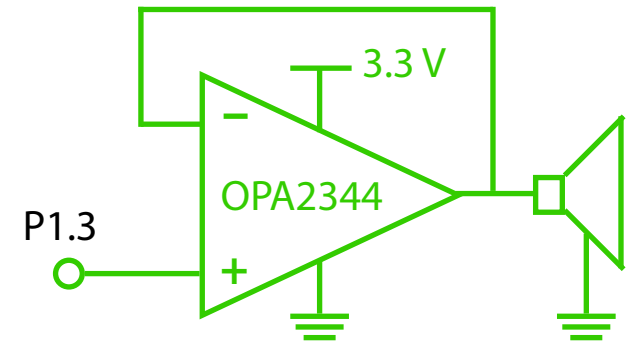
RIGHT MOTOR



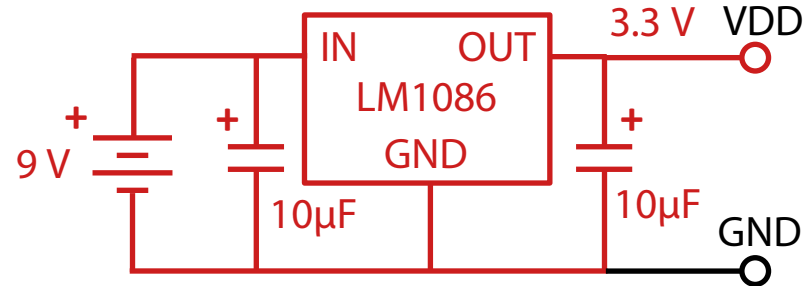
MICROPHONE AMP



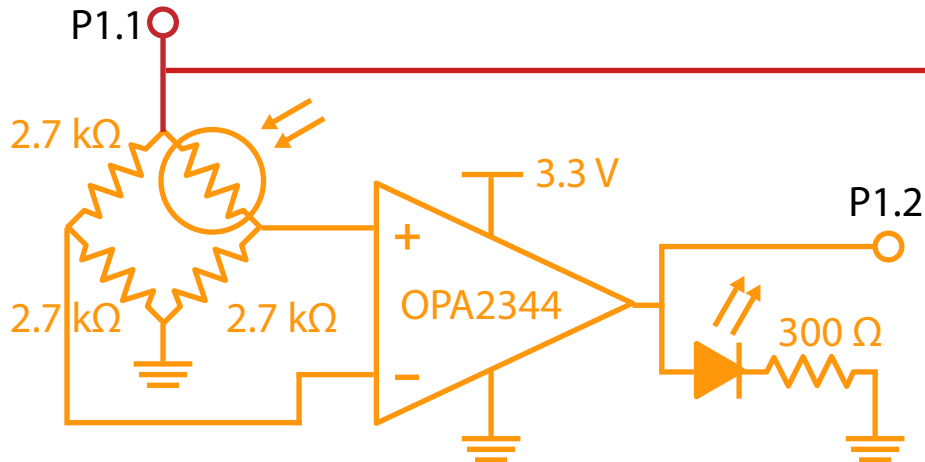
SPEAKER AMP



VOLTAGE REGULATOR



LEFT PHOTOCELL



RIGHT PHOTOCELL

